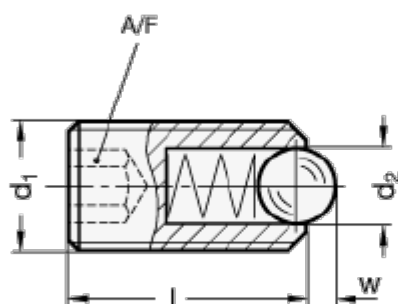


Article number: 206153M12KNPFB

Description: E+G stainless steel spring plungers 615.3-M12-KN-PFB

## Measures



Thread locking **PFB**  
Polyamide patch  
for type **KN**



Thread locking **PFB**  
Polyamide patch  
for type **KSN**



Thread locking **MVK**  
Micro encapsulation precote  
(for all types)

A/F	= 6
d1	= M12
d2	= 8
l	= 26
Max. spring load in N	= 49
Preload spring pressure in N	= 26
w	= 2.5